

VIPER S

OPTICS

STRIKE

SMALL VIPER LUMINAIRE

Cat.#	
Job	Type



Approvals

SPECIFICATIONS

Intended Use:

The Beacon Viper luminaire is available with a wide choice of different LED Wattage configurations and optical distributions designed to replace HID lighting up to 400W MH or HPS.

Construction:

- Manufactured with die cast aluminum.
- Coated with a polyester finish that meets ASTM B117 corrosion test requirements and ASTM D522 cracking and loss of adhesion test requirements.
- External hardware is corrosion resistant.
- One piece optical cartridge system consisting of an LED engine, LED lamps, optics, gasket and stainless steel bezel.
- Cartridge is held together with internal brass standoffs soldered to the board so that it can be field replaced as a one piece optical system.
- Two-piece silicone and micro-cellular polyurethane foam gasket ensures a weather-proof seal around each individual LED.

Electrical:

- 100V through 277V, 50 Hz to 60 Hz (UNV), or 347V or 480V input.
- Power factor is $\geq .90$ at full load.
- Dimming drivers are standard, but must contact factory to request wiring leads for purpose of external dimming controls.
- Component-to-component wiring within the luminaire may carry no more than 80% of rated load and is certified by UL for use at 600VAC at 90°C or higher.
- Plug disconnects are certified by UL for use at 600 VAC, 13A or higher. 13A rating applies to primary (AC) side only.
- Fixture electrical compartment shall contain all LED driver components and shall be provided with a push-button terminal block for AC power connections.
- Surge protection - 20kA.
- Optional 7-pin ANSI C136.41-2013 twist-lock photo control receptacle available. Compatible with ANSI C136.41 external wireless control devices.
- Lifeshield™ Circuit - protects luminaire from excessive temperature. The device shall activate at a specific, factory-preset temperature, and progressively reduce power over a finite temperature range. Operation shall be smooth and undetectable to the eye. Thermal circuit is designed to "fail on", allowing the luminaire to revert to full power in the event of an interruption of its power supply, or faulty wiring connection to the drivers. The device shall be able to co-exist with other 0-10V control devices (occupancy sensors, external dimmers, etc.).

Controls/Options:

- Available with an optional passive infrared (PIR) motion sensor capable of detecting motion 360° around the luminaire. When no motion is detected for the specified time, the Motion Response system reduces the wattage to factory preset level, reducing the light level accordingly. When motion is detected by the PIR sensor, the luminaire returns to full wattage and full light output. Please contact Beacon Products if project requirements vary from standard configuration.
- Available with Energeni for optional set dimming, timed dimming with simple delay, or timed dimming based on time of night (see www.beaconproducts.com/products/energeni).
- In addition, Viper can be specified with **SiteSync™** wireless control system for reduction in energy and maintenance costs while optimizing light quality 24/7. For more details, see ordering information or visit: www.hubbelling.com/sitesync

Installation:

- Mounting options for horizontal arm, vertical tenon or traditional arm mounting available. Mounting hardware included.

Finish:

- IFS polyester powder-coat electrostatically applied and thermocured. IFS finish consists of a five stage pretreatment regimen with a polymer primer sealer and top coated with a thermoset super TGIC polyester powder coat finish.
- The finish meets the AAMA 2604 performance specification which includes passing a 3000 hour salt spray test for corrosion resistance and resists cracking or loss of adhesion per ASTM D522 and resists surface impacts of up to 160 inch-pounds.

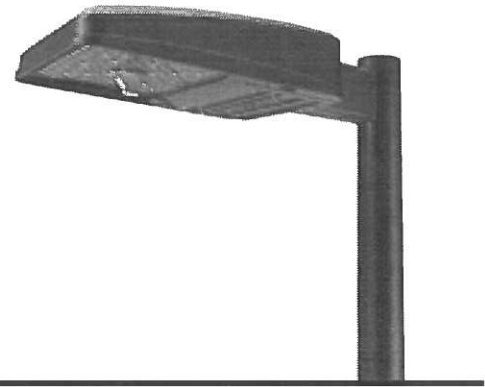
Certifications/Ratings:

- DesignLights Consortium (DLC) qualified, consult DLC website for more details: <http://www.designlights.org/QPL>
- Certified to UL 1598, UL 8750 and CSA C22.2 No.250.0
- IDA approved
- This product is approved by the Florida Fish and Wildlife Conservation Commission. Separate spec available at: <http://www.beaconproducts.com/products/vipersmall>

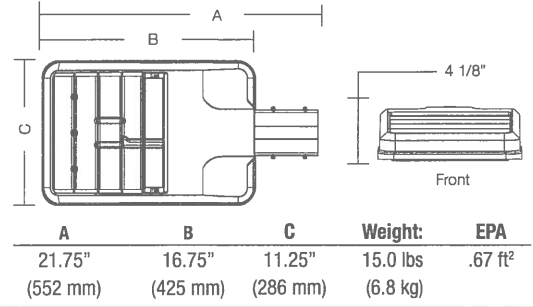
Warranty:

Five year limited warranty for more information visit: www.hubbelling.com/resources/warranty

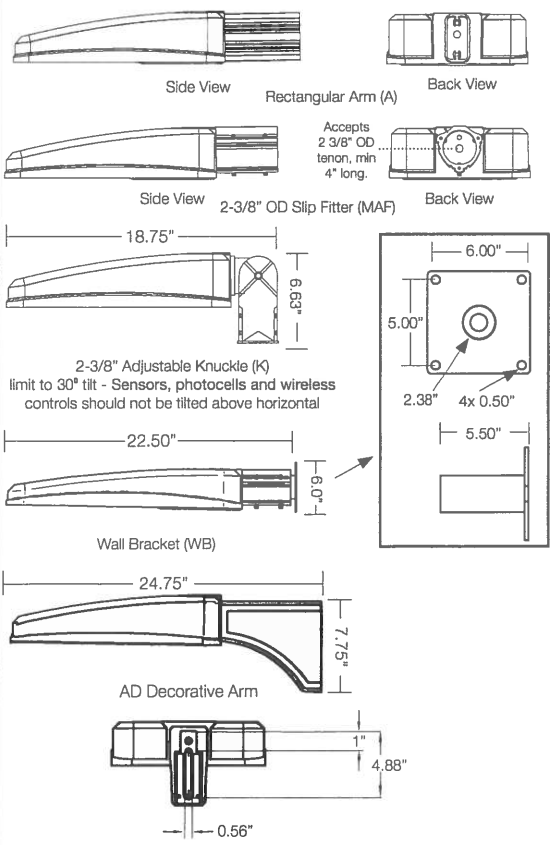
PRODUCT IMAGE(S)



DIMENSIONS



MOUNTING OPTIONS



CERTIFICATIONS/LISTINGS



*3000K and warmer CCTs only



Beacon Products • 2041 58th Avenue Circle East Bradenton, FL 34203 • Phone: 800-345-4928
 Due to our continued efforts to improve our products, product specifications are subject to change without notice.
 © 2017 BEACON PRODUCTS, All Rights Reserved • For more information visit our website: www.beaconproducts.com • Printed in USA AUGUST 7, 2018 10:22 AM



ORDERING INFORMATION

ORDERING EXAMPLE: VPS/24L-55/4K7/4W/UNV/A/DBT/7PR-TL/GENI-04/BC

VPS								
SERIES	LED ENGINE	CCT/CRI ⁷	ROTATION	VOLTAGE	COLOR		OPTIONS	
VPS Viper	24L-55 55W, LED array	3K7 3000K, 70 CRI	Leave blank for no rotation	UNV 120-277V	BL Black Textured	F Fusing		
	36L-65 65W, LED array	4K7 4000K, 70 CRI	L ⁵ Optic rotation left	120 120V	DB Dark Bronze Textured	BSP Bird Spikes		
	36L-80 80W, LED array	5K7 5000K, 70 CRI	R ⁵ Optic rotation right	208 208V	GYS Light Gray Smooth	BC Backshield (available for FR, 2, 3, 4, 4W Optics)		
	48L-110 110W, LED array	DISTRIBUTION		240 240V	PS Platinum Silver Smooth			
	60L-136 136W, LED array	FR Type 1/Front Row		277 277V	WH White Textured			
		2 Type 2		347 347V	CC Custom Color			
		3 Type 3		480 480V				
		4 Type 4						
		4W Type 4 Wide						
		5QM Type 5QM						
		5R Type 5R (rectangular)						
		5W Type 5W (round wide)						
		TC Tennis Court						

MOUNTING	
A	Rectangular Arm (formerly RA) for square or round pole
MAF	Mast Arm Fitter (formerly SF2) for 2-3/8" OD horizontal arm
K	Knuckle (formerly PK2) limit to 45° tilt or 2-3/8" OD horizontal arm or vertical tenon
WB	Wall Bracket
AD	Universal Arm for square pole
AD3	Universal Arm for 2.4"-4.1" round pole
AD4	Universal Arm for 4.2"-5.3" round pole
AD5	Universal Arm for 5.5"-5.9" round pole
AD6	Universal Arm for 6.0"-6.5" round pole

CONTROL OPTIONS	
7PR	7-Pin Receptacle only (shorting cap, photo control, or wireless control provided by others)
7PR-SC	7-Pin Receptacle w/Shorting Cap
7PR-TL	7-Pin Receptacle w/Twist Lock photo control
SCP/_F ^{1,2,6}	Programmable Occupancy Sensor w/ daylight control (120-277 volts only)
GENI-XX ³	ENERGENI
SWP ^{1,4}	SiteSync Pre-Commission
SWPM ^{1,2,4}	SiteSync Pre-Comm w/ Sensor

HOUSE SIDE SHIELD ACCESSORIES

HSS/VP-S/90-FB/XXX 90° shield front or back
 HSS/VP-S/90-LR/XXX 90° shield left or right
 HSS/VP-S/270-FB/XXX 270° shield front or back
 HSS/VP-S/270-LR/XXX 270° shield left or right
 HSS/VP-S/360/XXX Full shield

(Replace XXX with notation for desired finish color)
 (Refer to page 5 for shield images)

MOUNTING ACCESSORIES

VPL-AD-RPA3 2.4"-4.1" Round Pole Adapter for AD arm
 VPL-AD-RPA4 4.2"-5.3" Round Pole Adapter for AD arm
 VPL-AD-RPA5 5.5"-5.9" Round Pole Adapter for AD arm
 VPL-AD-RPA6 6.0"-6.5" Round Pole Adapter for AD arm

¹ Not available with other wireless control or sensor options
² Specify mounting height: 8'-8" or less, 40'-9" to 40'
³ Specify routine setting code (example GENI-04). See ENERGENI brochure and instructions for setting table and options. Not available with sensor or SiteSync options.
⁴ Specify group and zone at time of order. See www.hubbellighting.com/sitesync for further details. Order at least one SiteSync interface Accessory SWUSB or SWTAB. Each option contains SiteSync License, GUI, and Bridge Node
⁵ Only available with 1A, 2, 3, 4, 4W and 5R distributions
⁶ Order at least one SCP-REMOTE per project location to program and control the occupancy sensor.
⁷ This product is approved by the Florida Fish and Wildlife Conservation Commission. Separate spec available at: http://cctn.beaconproducts.com/content/products/specs/specs_files/Viper_Small_LED_turtle_spec_sheet.pdf

PRECOMMISSIONED SITESYNC ORDERING INFORMATION: When ordering a fixture with the SiteSync lighting control option, additional information will be required to complete the order. The SiteSync Commissioning Form or alternate schedule information must be completed. This form includes Project location, Group information, and Operating schedules. For more detailed information please visit www.hubbell-automation.com/products/sitesync/ or contact Hubbell Lighting tech support at (800) 345-4928.

SiteSync fixtures with Motion control (SWPM) require the mounting height of the fixture for selection of the lens.

Examples: VPS/24L-55/4K7/3/UNV/A/DBT/SWP/ SiteSync only
 VPS/24L-55/4K7/3/UNV/A/DBT/SWPM-40F/ SiteSync with Motion Control

Accessories and Services (Ordered Separately)

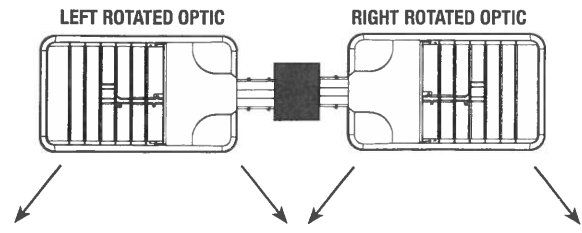
Catalog Number	Description
SWUSB*	SiteSync interface software loaded on USB flash drive for use with owner supplied PC (Windows based only). Includes SiteSync license, software and USB radio bridge node
SWTAB*	Windows tablet and SiteSync interface software. Includes tablet with preloaded software, SiteSync license and USB radio bridge node.
SWBRG	SiteSync USB radio bridge node only. Order if a replacement is required or if an extra bridge node is requested.
SCP-REMOTE	Remote Control for SCP/_F option. Order at least one per project to program and control
SW7PR+	SiteSync 7 Pin on fixture module On/Off/Dim, Daylight Sensor 120-480VAC

* When ordering SiteSync at least one of these two interface options must be ordered per project.
 + Available as a SiteSync retrofit solution for fixtures with an existing 7pin receptacle.

Hubbell Control Solutions - Accessories (sold separately)

Catalog Number	Description	HCS System
NXOFM-1R1D-UNV	On-fixture Module (7-pin), On / Off / Dim, Daylight Sensor with HubbNET Radio and Bluetooth® Radio, 120-480VAC	NX Distributed Intelligence™
WIR-RME-L	On-fixture Module (7-pin or 5-pin), On / Off / Dim, Daylight Sensor with wiSCAPE Radio, 110-480VAC	wiSCAPE® Lighting Control

For additional information related to these accessories please visit www.hubbellcontrolsolutions.com. Options provided for use with integrated sensor, please view specification sheet ordering information table for details.



SiteSync 7-Pin Module



- SiteSync features in a new form
- Available as an accessory for new construction or retrofit applications (with existing 7-Pin receptacle)
- Does not interface with occupancy sensors



PERFORMANCE DATA

# LED'S	DRIVE CURRENT (MILLIAMPS)	SYSTEM WATTS	DISTRIBUTION TYPE	5K (5000K nominal, 70 CRI)					4K (4000K nominal, 70 CRI)					3K (3000K nominal, 70 CRI)				
				LUMENS	LPW ¹	B	U	G	LUMENS	LPW ¹	B	U	G	LUMENS	LPW ¹	B	U	G
24	700 mA	55W	FR	6357	118	1	0	1	6486	120	1	0	1	5804	107	1	0	1
			2	6132	114	1	0	1	6257	116	1	0	2	5599	104	1	0	1
			3	6015	111	1	0	2	6137	114	1	0	2	5492	102	1	0	2
			4	5921	110	1	0	2	6034	112	1	0	2	5400	100	1	0	2
			4W	5805	108	1	0	2	5921	110	1	0	2	5282	98	1	0	2
			5QM	6022	112	2	0	1	6145	114	2	0	1	5499	102	2	0	1
			5R	6063	112	3	0	3	6187	115	3	0	3	5536	103	3	0	3
			5W	5908	109	3	0	1	6028	112	3	0	1	5908	102	3	0	1
			TC	6183	115	1	0	1	6309	118	1	0	1	5645	105	1	0	1
36	560 mA	65W	FR	7864	121	1	0	1	8041	124	1	0	1	7189	111	1	0	1
			2	7586	117	1	0	2	7757	119	1	0	2	6934	107	1	0	2
			3	7441	114	1	0	2	7609	117	1	0	2	6802	105	1	0	2
			4	7317	110	1	0	2	7482	112	1	0	2	6688	100	1	0	2
			4W	7325	113	1	0	2	7490	115	1	0	2	6696	103	1	0	2
			5QM	7450	115	3	0	1	7618	117	3	0	1	6810	105	3	0	1
			5R	7501	115	3	0	3	7670	118	3	0	3	6857	105	3	0	3
			5W	7309	112	3	0	2	7473	115	3	0	2	6681	103	3	0	1
			TC	7975	115	1	0	1	8164	118	1	0	1	7468	105	1	0	1
36	700 mA	80W	FR	9535	118	1	0	1	9730	120	1	0	1	8706	107	1	0	1
			2	9197	114	1	0	2	9385	116	1	0	2	8398	104	1	0	2
			3	9022	111	1	0	2	9206	114	1	0	2	8238	102	1	0	2
			4	8871	110	1	0	2	9052	112	1	0	2	8100	100	1	0	2
			4W	8707	108	1	0	2	8881	110	1	0	2	7923	98	1	0	2
			5QM	9033	112	3	0	1	9217	114	3	0	1	8248	102	3	0	1
			5R	9095	112	3	0	3	9280	115	3	0	3	8304	103	3	0	3
			5W	8861	109	3	0	2	9043	112	3	0	2	8092	100	3	0	2
			TC	9275	115	1	0	1	9464	118	1	0	1	8468	105	1	0	1
48	700 mA	110W	FR	12713	118	1	0	1	12973	120	2	0	1	11608	107	1	0	1
			2	12263	114	2	0	2	12513	116	2	0	2	11197	104	2	0	2
			3	12029	111	2	0	2	11275	114	2	0	2	10984	102	1	0	2
			4	11828	110	1	0	3	12069	112	1	0	3	10800	100	1	0	2
			4W	11609	108	1	0	3	11841	110	1	0	3	10564	98	1	0	3
			5QM	12044	112	3	0	2	12290	114	3	0	2	10997	102	3	0	1
			5R	12126	112	3	0	3	12374	115	3	0	3	11072	103	3	0	3
			5W	12126	109	4	0	2	12057	112	4	0	2	10789	100	4	0	2
			TC	12366	115	1	0	2	12619	118	1	0	2	11290	105	1	0	2
60	700 mA	136W	FR	15891	117	2	0	2	16216	120	2	0	2	14511	107	2	0	1
			2	15329	113	2	0	2	15642	116	2	0	2	13997	103	2	0	2
			3	15037	111	2	0	3	15344	113	2	0	3	13730	101	2	0	3
			4	14784	109	1	0	3	15086	111	1	0	3	13500	100	1	0	3
			4W	14511	108	2	0	4	14802	110	2	0	4	13205	98	2	0	3
			5QM	15055	111	3	0	2	15362	114	3	0	2	13747	102	3	0	2
			5R	15158	112	4	0	4	15469	114	4	0	4	13841	102	4	0	4
			5W	14781	109	4	0	2	15083	111	4	0	2	13495	100	4	0	2
			TC	15458	115	1	0	2	15834	118	1	0	2	14113	105	1	0	2



PHOTOMETRICS

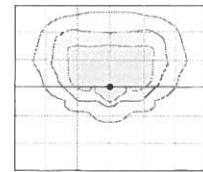
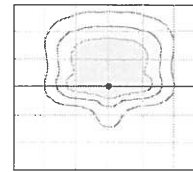
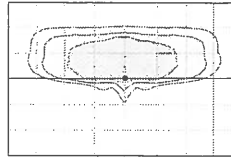
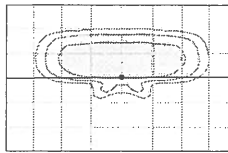
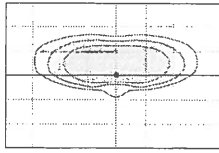
Type FR - Front Row/Auto Optic

Type 2

Type 3

Type 4

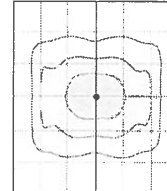
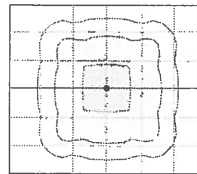
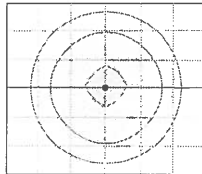
Type 4W



Type 5W

Type 5QM

Type 5R



¹Lumen values are from photometric tests performed in accordance with IESNA LM-79-08. Data is considered to be representative of the configurations shown. Actual performance may differ as a result of end-use environment and application.

ELECTRICAL DATA

# OF LEDS	NUMBER OF DRIVERS	DRIVE CURRENT (mA)	INPUT VOLTAGE (V)	SYSTEM POWER (w)	CURRENT (Amps)
24	2	700 mA	120	55	0.5
			277		0.2
			347		0.2
			480		0.1
36	1	560 mA	120	65	0.65
			277		0.28
			347		0.22
			480		0.16
	700 mA	120	0.7		
		277	0.3		
		347	0.2		
		480	0.2		
48	1	700 mA	120	110	0.9
			277		0.4
			347		0.3
			480		0.2
60	1	700 mA	120	136	1.1
			277		0.5
			347		0.4
			480		0.3

PROJECTED LUMEN MAINTENANCE

AMBIENT TEMP.	0	25,000	50,000	TM-21-11 60,000	100,000	Calculated L70 (HOURS)
25°C / 77°C	1.00	0.97	0.95	0.95	0.92	>377,000

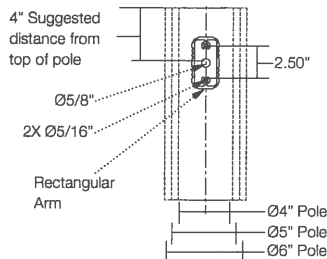
¹ Projected per IESNA TM-21-11

Data references the extrapolated performance projections for the base model in a 25°C ambient, based on 10,000 hours of LED testing per IESNA LM-80-08.

DRILL PATTERN

RECTANGULAR ARM (A)

Compatible with Pole drill pattern B4



EPA



Config.	EPA
1	.67
2 @ 90°	1.06
2 @ 180°	1.34



Config.	EPA
3 @ 120°	1.68
3 @ 90°	1.73
4 @ 90°	2.12

TENON TOP POLE BRACKET ACCESSORIES (Order Separately)

(2 3/8" OD tenon)

Catalog Number	Description
SETAVP-XX	Square tenon adapter (4 at 90°) for A - Rectangular Arm mounting option only
RETAVP-XX	Round tenon adapter (4 at 90°) for A - Rectangular Arm mounting option only
TETAVP-XX	Hexagonal tenon adapter (4 at 90°) for A - Rectangular Arm mounting option only
SETA2XX	Square tenon adapter (4 at 90°) for AD - Universal Arm mounting option only
RETA2XX	Round tenon adapter (4 at 90°) for AD3 - Universal Arm mounting option only
TETA2XX	Hexagonal tenon adapter (3 at 120°) for AD - Universal Arm mounting option only



Beacon Products • 2041 58th Avenue Circle East Bradenton, FL 34203 • Phone: 800-345-4928

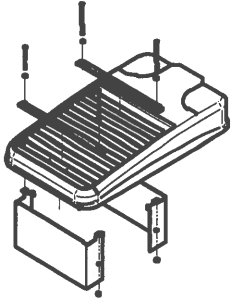
Due to our continued efforts to improve our products, product specifications are subject to change without notice.

© 2017 BEACON PRODUCTS. All Rights Reserved • For more information visit our website: www.beaconproducts.com • Printed in USA AUGUST 7, 2018 10:22 AM

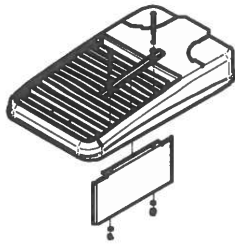


HUBBELL Lighting

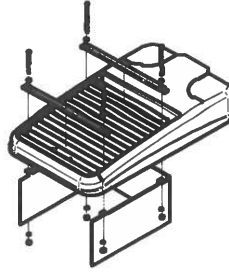
HOUSE SIDE SHIELD FIELD INSTALL ACCESSORIES



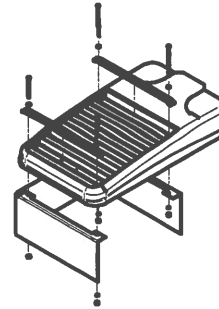
HSS/VP-S/90-FB/XXX
90° shield front or back
(2 shields shown)



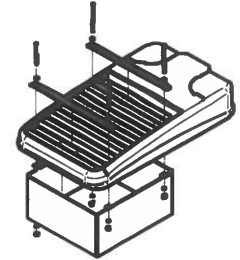
HSS/VP-S/90-LR/XXX
90° shield left or right
(1 shield shown in left orientation)



HSS/VP-S/270-FB/XXX
270° shield front or back
(1 shield shown in back orientation)

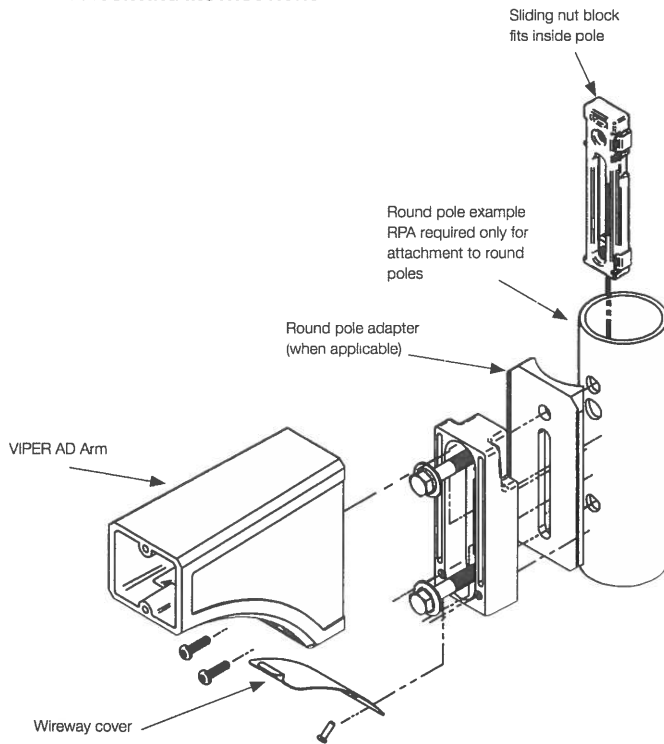


HSS/VP-S/270-LR/XXX
270° shield left or right
(1 shield shown in right orientation)



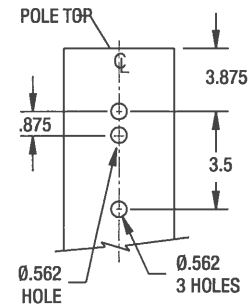
HSS/VP-S/360/XXX
Full shield (1 shield shown)


AD ARM MOUNTING INSTRUCTIONS



DECORATIVE ARM (AD)

Compatible with pole drill pattern S2



SLING SERIES SG	Cat.#		 HUBBELL Outdoor Lighting
	Job	Type	

SPECIFICATIONS

Intended Use:

Slender wallpack/floodlight available in two sizes for a variety of applications including building perimeter/security lighting, entrances, stairways, loading docks or facades for schools, apartments or commercial buildings.

Construction:

Rugged die-cast aluminum housing with corrosion resistant powder coat finish both protects and provides architectural appearance. Heat dissipating fins provide superior thermal performance extending the life of the electronic components.

Electrical:

- 120-277V, 50/60Hz electronic drivers
- 347V and 480V available in larger SG2 housing
- 10KA surge protection included

LED(s) Optics, CCT:

- 3000K, 4000K and 5000K CCT nominal with 70 CRI
- Smaller SG1 housing has 2 LEDs, larger SG2 housing has 3 LEDs, see page 2 for electrical and photometric data

Lenses:

- Impact resistant tempered glass offers zero uplight
- Comfort lens available as an option or accessory to reduce glare (7-10% lumen reduction) and provide better uniformity

Installation:

- Side hinge allows for easy installation and wiring.
- Side movement avoids damage to the lens and helps prevent injury common in drop down hinge designs.
- Mounts to 4" junction box and includes a gasket to help seal electrical connections.
- Four ½" threaded conduit hubs for surface conduit provided

Options/Controls

- Button photocontrol for dusk to dawn energy savings. Stock versions include 120V-277V PC with a cover which provides a choice to engage photocontrol or not. PC is installed in top hub.
- Occupancy sensor available for on/off and dimming control in larger SG2 housing.
- SiteSync™ wireless lighting control delivers flexible control strategies for reducing power consumption and minimizing maintenance costs while delivering the right light levels with a simple and affordable wireless solution. See ordering information or visit www.hubbellighting.com/sitesync for more details.
- Battery backup options available in larger SG2 housing rated for either 0° C or -30° C. Performance exceeds NEC requirement providing 1 fc minimum over 10'x10' at 11' mounting height
- Diffused comfort lens provides glare control and improved uniformity. Available as an option or accessory

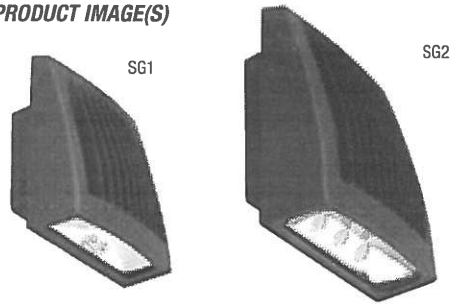
Listings

- DesignLights Consortium® (DLC) qualified. Please refer to the DLC website for specific product qualifications at www.designlights.org
- Listed to UL1598 for use in wet location, listed for -40C to 40C applications
- IDA approved with zero uplight for 3000K and warmer CCTs
- IP65

Warranty:

Five year limited warranty (for more information visit: <http://www.hubbellighting.com/resources/warranty/>)

PRODUCT IMAGE(S)



DIMENSIONS

SG1							
A	B	C	Weight	A	B	C	Weight
4.19"	7.80"	6.61"	4.4 lbs.	106.5 mm	198 mm	168 mm	2 kg

SG2							
A	B	C	Weight	A	B	C	Weight
5.80"	11.14"	9.52"	11 lbs.	147 mm	283 mm	242 mm	5 kg

SG2 with occupancy sensor and battery options

SG2 with occupancy sensor and battery options							
A	B	C	Weight	A	B	C	Weight
7.26"	13.84"	9.52"	11 lbs.	184.1 mm	351.5 mm	242 mm	5 kg

CERTIFICATIONS/LISTINGS



tradeSELECT®

C US

*3000K and warmer CCTs only

SHIPPING INFORMATION

Catalog Number	G.W(kg)/CTN	Carton Dimensions			Carton Qty. per Master Pack	Pallet Qty.
		Length Inch (cm)	Width Inch (cm)	Height Inch (cm)		
SG1	4.35lbs (2 kg)	9.5 (24)	8.25 (21)	5.25 (13.32)	6	98
SG2	11lbs (5 kg)	14 (35.5)	11.5 (29.2)	8 (20.3)	2	64

ORDERING INFORMATION – ORDERING EXAMPLE: SG1-20-4K7-FT-UNV-DB

FAMILY	CCT/CRI	DISTRIBUTION	VOLTAGE	COLOR/FINISH	CONTROL OPTIONS	OPTIONS
SG1-20 Size 1, 20w	3K7 3000K, 70 CRI	FT Fwd Thro	UNV 120V-277V	DB Textured Dark Bronze	PCU Button Photocontrol 120-277V	CS Comfort lens
SG1-30 Size 1, 30w	4K7 4000K, 70 CRI		120' 120V	BL Textured Black	SCO ^{1,2} Sensor Control, on/off	E ^{1,2} Battery 0°C
SG2-50 Size 2, 50w	5K7 5000K, 70 CRI		277' 277V	WH Textured White	SCP ^{1,2,3} Sensor Control, Programmable	EH ^{1,2} Battery w/ heater -20°C
SG2-80 Size 2, 80w			UHV ¹ 347V-480V	GYS Smooth Gray	SWP ^{1,2} SiteSync, Precommission	
				PS Smooth Plat. Silver	SWPM ^{1,2} SiteSync, Precommission, Motion	
				CC Custom Color	Specify MTG HT for SCO/SCP & SWPM	
					8F Up to 8'	
					20F Up to 20'	

¹ Available in SG2 only, UHV available in SG2-50 only

² Sensor controls & battery backup can not be used with flood accessory or kit or for inverted/up mounting 120-277V only for SCO/SCP, 120 or 277 only for SWP, SWPM, E & EH

³ Must order minimum of one remote control to program dimming settings, 0-10V fully adjustable dimming with automatic daylight calibration and different time delay settings, 120-277V only



HUBBELL
Outdoor Lighting

Hubbell Outdoor Lighting • 701 Millennium Boulevard • Greenville, SC 29607 • Phone: 864-678-1000

Due to our continued efforts to improve our products, product specifications are subject to change without notice.

© 2017 HUBBELL OUTDOOR LIGHTING, All Rights Reserved • For more information visit our website: www.hubbelloutdoor.com • Printed in USA SG-SPEC JUNE 1, 2018 9:48 AM

ORDERING INFORMATION - Stock Versions

Catalog Number	CCT/CRI	Wattage	Mounting Height	Voltage	Color	Lumens	LPW	Weight lbs. (kg)
SG1-20-PCU	5000K/70	21w	8-12ft	120-277V	Dark Bronze	2263	108	4.3 (2)
SG1-20-4K-PCU	4000K/70					2310	110	
SG1-30-PCU	5000K/70	29w	10-15ft			3270	113	
SG1-30-4K-PCU	4000K/70					3060	105	
Catalog Number	CCT/CRI	Wattage	Mounting Height	Voltage	Color	Lumens	LPW	Weight lbs. (kg)
SG2-50-PCU	5000K/70	51w	12-18ft	120-277V	Dark Bronze	5548	110	11 (5)
SG2-50-4K-PCU	4000K/70					5526	109	
SG2-80-PCU	5000K/70	80w	15-25ft			8061	101	
SG2-80-4K-PCU	4000K/70					8079	101	

PERFORMANCE DATA

Catalog number	# of LEDs	Drive Current	System Watts	5K (5000K nominal, 70 CRI)					4K (4000K nominal, 70 CRI)					3K (3000K nominal, 80 CRI)				
				Lumens	LPW ¹	B	U	G	Lumens	LPW ¹	B	U	G	Lumens	LPW ¹	B	U	G
SG1-20	2	250mA	21	2449	115	1	0	0	2310	110	1	0	0	2054	95	1	0	0
SG1-30		350mA	29	3332	117	2	0	0	3060	106	1	0	0	2913	100	1	0	0
SG2-50-UHV	3	350mA	44	4633	106	2	0	0	4609	105	2	0	0	3895	90	2	0	0
SG2-50	3	415mA	51	5548	109	2	0	0	5526	107	2	0	0	4700	92	2	0	0
SG2-80		650mA	80	7851	98	2	0	1	8079	103	2	0	1	6721	86	2	0	1

1. Lumen values are from photometric tests performed in accordance with IESNA LM-79-08. Data is considered to be representative of the configurations shown. Actual performance may differ as a result of end-user environment and application.

ELECTRICAL DATA

Configurable Versions

Catalog number	# of Drivers	Input Voltage	Current (Amps)	System Power
SG1-20	1	120	0.18	21.0
		277	0.08	21.0
SG1-30	1	120	0.24	28.9
		277	0.10	28.9
SG2-50-UHV	1	347	0.13	43.5
		480	0.18	43.5
SG2-50	1	120	0.42	50.6
		277	0.18	50.6
SG2-80	1	120	0.68	79.8
		277	0.29	79.8

PROJECTED LUMEN MAINTENANCE

Ambient Temp.	OPERATING HOURS					
	0	25,000	50,000	TM-21-11 ¹ L96 60,000	100,000	L70 (hours)
25°C / 77°F	1.00	0.98	0.97	0.96	0.95	>791,000
40°C / 104°F	0.99	0.98	0.96	0.96	0.94	>635,000

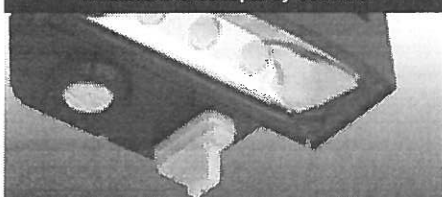
1. Projected per IESNA TM-21-11¹ (Nichia 219B, 700mA, 85°C Ts, 10,000hrs) Data references the extrapolated performance projections for the LNC-12LU-5K base model in a 40°C ambient, based on 10,000 hours of LED testing per IESNA LM-80-08.

LUMINAIRE AMBIENT TEMPERATURE FACTOR (LATF)

AMBIENT TEMPERATURE	LUMEN MULTIPLIER	
0° C	32° F	1.02
10° C	50° F	1.01
20° C	68° F	1.00
25° C	77° F	1.00
30° C	86° F	1.00
40° C	104° F	0.99
50° C	122° F	0.96

Use these factors to determine relative lumen output for average ambient temperatures from 0-40°C (32-104°F).

Wireless and Occupancy Controls



SiteSync™ Lighting Control delivers flexible control strategies for reducing power consumption and minimizing maintenance costs while delivering the right light levels with a simple and affordable wireless solution.

OPTIONS AND ACCESSORIES

Catalog Number	Description	Weight lbs. (kg)
SG1-CS	Acrylic comfort lens for SG1	1 (.45)
SG2-CS	Acrylic comfort lens for SG2	1 (.45)
SG1-YOKE	SG1 Series Yoke/Floodlight mount kit, includes visor	2.0 (1.0)
SG1-KNUCKLE	SG1 Series Knuckle/Floodlight mount kit, includes visor	2.0 (1.0)
SG2-YOKE	SG2 Series Yoke/Floodlight mount kit, includes visor	2.0 (1.0)
SG2-KNUCKLE	SG2 Series Knuckle/Floodlight mount kit, includes visor	2.0 (1.0)
SCP-REMOTE*	Remote control for SCP option. Order at least one per project to program and control fixtures	1 (.45)
SG2-PMA-3-XX	3" Pole Mount adapter for SG2, both square and round, XX= finish	7 (3.5)
SG2-PMA-4-XX	4" Pole Mount adapter for SG2, both square and round, XX= finish	7 (3.5)
SG2-PMA-5-XX	5" Pole Mount adapter for SG2, both square and round, XX= finish	7 (3.5)
SG2-PMA-6-XX	6" Pole Mount adapter for SG2, both square and round, XX= finish	7 (3.5)
SG1-SPC	Vandal Resistant Lens (shield polycarbonate), SG1	3 (1.5)
SG2-SPC	Vandal Resistant Lens (shield polycarbonate), SG2	3 (1.5)
SG1-WCP	Universal Wall Cover Plate, Dark Bronze, SG1	10 (5)
SG2-WCP-H	Horizontal Mount Wall Cover Plate, Dark Bronze, SG2	10 (5)
SG2-WCP-V	Vertical Mount Wall Cover Plate, Dark Bronze, SG2	10 (5)
SG2XL-WCP-H	Horizontal Mount Wall Cover Plate, DB, SG2 with battery or sensor	10 (5)
SG2XL-WCP-V	Vertical Mount Wall Cover Plate, DB, SG2 with battery or sensor	10 (5)

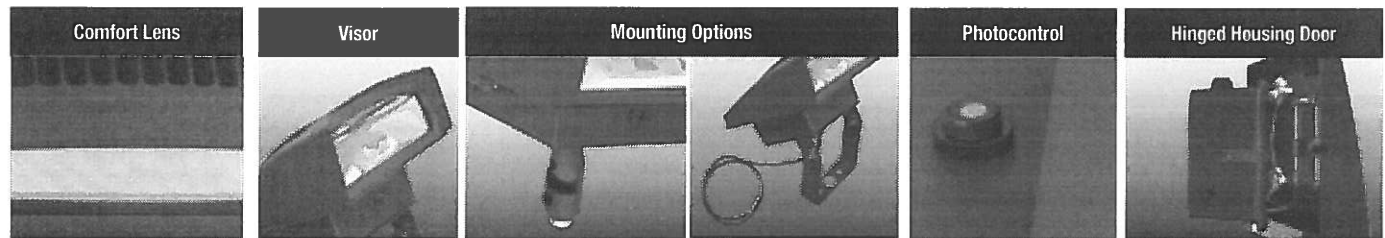
*Must order minimum of one remote control to program dimming settings, 0-10V fully adjustable dimming with automatic daylight calibration and different time delay settings, 120V or 277V only

Accessories and Services (Ordered Separately)

Catalog Number	Description
SWUSB*	SiteSync interface software loaded on USB flash drive for use with owner supplied PC (Windows based only). Includes SiteSync license, software and USB radio bridge node.
SWTAB*	Windows tablet and SiteSync interface software. Includes tablet with preloaded software, SiteSync license and USB radio bridge node.
SWBRG+	SiteSync USB radio bridge node only. Order if a replacement is required or if an extra bridge node is requested.

* When ordering SiteSync at least one of these two interface options must be ordered per project.

+ If needed, an additional Bridge Node can be ordered.

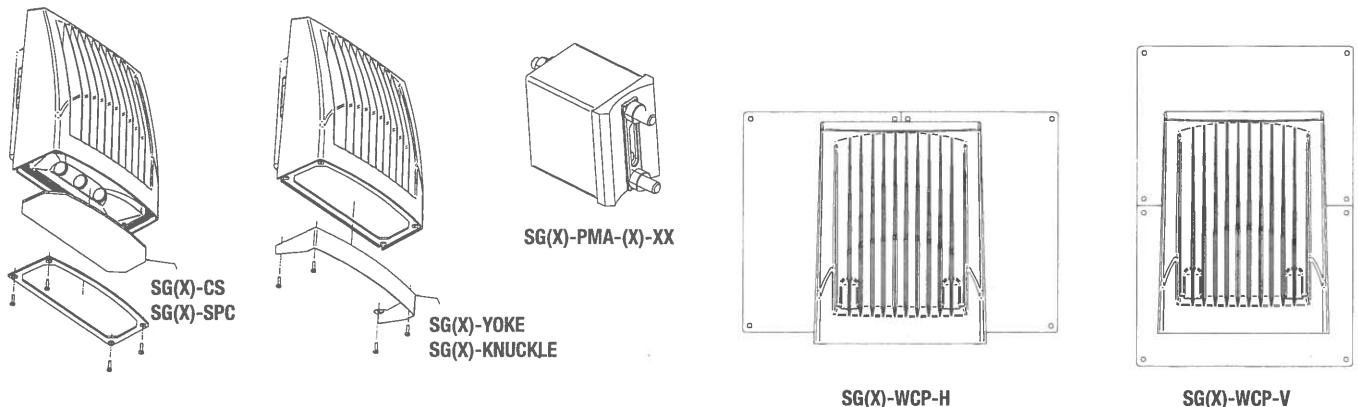


Acrylic comfort lens provides glare control, improved visual comfort and better uniformity

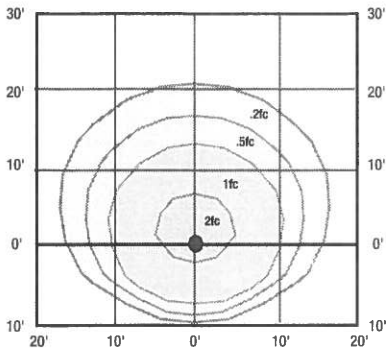
Visor accessory included Flood mounting accessories - 1/2" threaded knuckle with mounting accessory or yoke (includes grommet and 3' SO cord) kits

Photocontrol option available for energy-saving dusk-to-dawn operation

Side hinged for easy installation and wiring access, single screw secures housing closure

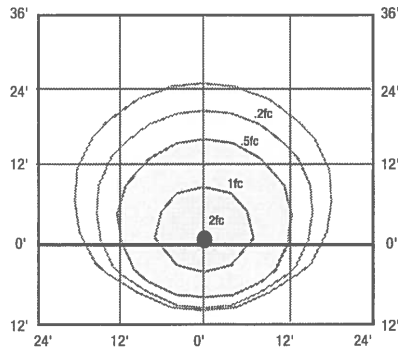


PHOTOMETRICS



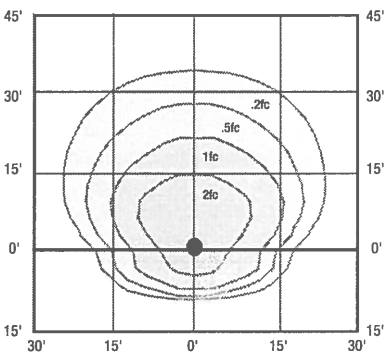
SG1-20

Mounting Height 10ft



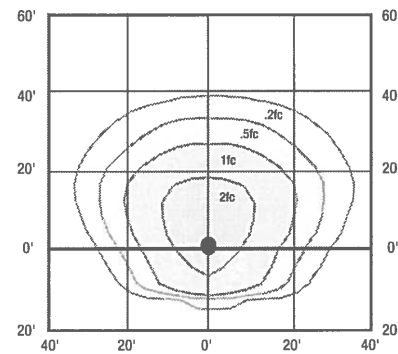
SG1-30

Mounting Height 12ft



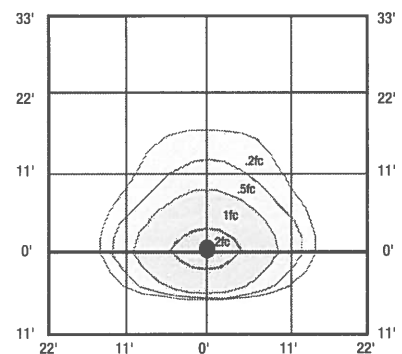
SG2-50

Mounting Height 15ft



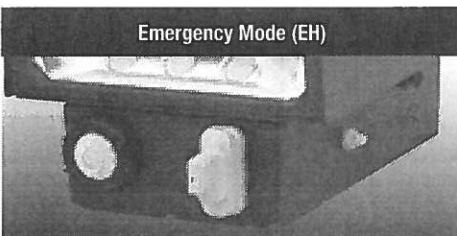
SG2-80

Mounting Height 20ft



SG2 in E or EH Emergency mode

Mounting Height 11ft



Emergency Mode (EH)

Battery back up feature with side indicator.

Exceeds Life Safety Code average illuminance of 1.0 fc. at 12ft mounting height. Assumes open space with no obstructions.

Diagrams for illustration purposes only, please consult factory for application layout.

Battery backup units consume 6 watts when charging a dead battery and 2 watts during maintenance charging. EH (units with a heater) consume up to an additional 8 watts when charging if the battery temp is lower than 10°C