



AERIAL VIEW OF HOSPITAL CAMPUS AND SURROUNDING CONTEXT

This document is owned by and the information contained in it is proprietary to Poblocki Sign Company, LLC. By receipt hereof, the holder agrees not to use the information, disclose it to any third party or reproduce this document without the prior written consent of Poblocki Sign Company, LLC. Holder also agrees to immediately return this document upon request by Poblocki Sign Company, LLC.

This document represents only an approximation of material colors specified. Actual product colors may vary from this print or digital image.

Project

Northwest Community Hospital

900 W Central Road
Arlington Heights, IL

Scale: NTS

Original Page Size: 11" x 17"

Notes

.

Revisions

REV	DESCRIPTION	BY	DATE
01			

Rep.: Jeremy Mertz

Drawn By: LE

Orig. Date: 05/26/20

Sign Loc. No. ---

SITE PLAN

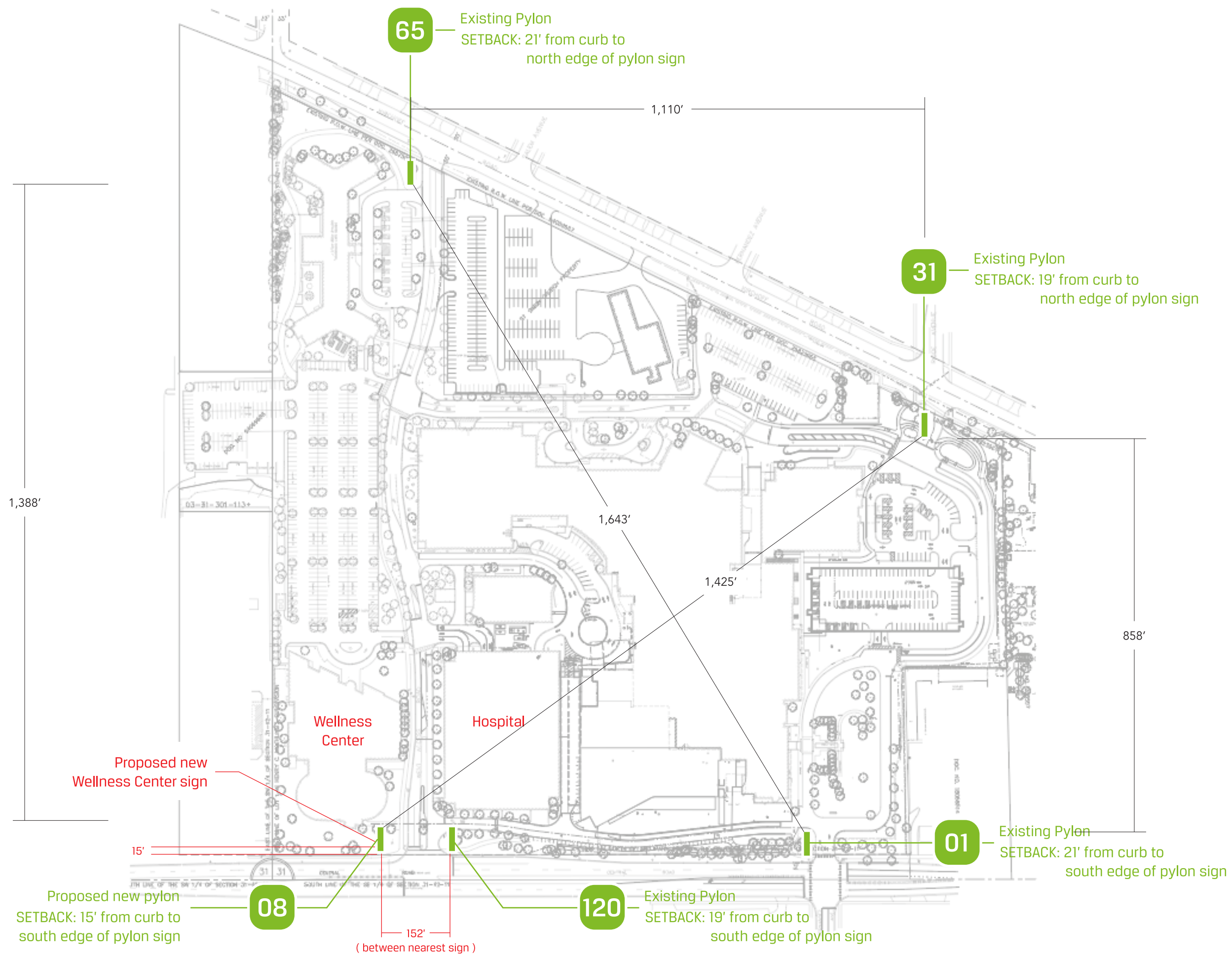
Sign. Type

85517

OPP - Project - Job No.

C01

Sheet





Existing Location 01



Existing Location 31



Existing Location 65



Existing Location 120

This document is owned by and the information contained in it is proprietary to Poblockki Sign Company, LLC. By receipt hereof, the holder agrees not to use the information, disclose it to any third party or reproduce this document without the prior written consent of Poblockki Sign Company, LLC. Holder also agrees to immediately return this document upon request by Poblockki Sign Company, LLC.

This document represents only an approximation of material colors specified. Actual product colors may vary from this print or digital image.

Project

Northwest Community Hospital

900 W Central Road
Arlington Heights, IL

Scale: NTS

Original Page Size: 11" x 17"

Notes

.

Revisions

REV	DESCRIPTION	BY	DATE
01			

Rep.: Jeremy Mertz

Drawn By: LE

Orig. Date: 07/16/20

Sign Loc. No. ---

PH-01

Photo Study

Sign. Type

85517

OPP - Project - Job No.

C01

Sheet

SIGN SPECIFICATIONS

[A] - BASE

Material: Aluminum
Color: Akzo Nobel 628B2 Metallic Silver
Installation: New Structure

[B] - CABINET (upper half)

Lighting: Lit
Voltage: t.b.d.
Material: Flex Face
Face Color: MP PMS 370c Green (translucent)
Graphics: White (reversed out of full coverage background color)
Cabinet Return Color: Paint to match face

[C] - CABINET (lower half)

Lighting: Lit
Voltage: t.b.d.
Material: Flex Face
Face Color: PMS Warm Gray 11c (translucent)
Copy: White (reversed out of full coverage background color)
Logo: PMS Warm Gray 6c (translucent)
Cabinet Return Color: Akzo Nobel 628B2 Metallic Silver

[D] - CABINET

Lighting: Lit
Voltage: t.b.d.
Material: Lexan
Face Color: Full coverage Avery A9340-T Red vinyl
Copy: White (reversed out of full coverage background color)
Cabinet Return Color: Akzo Nobel 628B2 Metallic Silver

[D] - CABINET

Lighting: Lit
Voltage: t.b.d.
Material: Aluminum
Face Color: PMS Warm Gray 11c (Mathews)
Copy: Routed out with 3/4" flange routed clear acrylic push-thru 1/8" proud of face
 White diffuser 2nd surface
Cabinet Return Color: Akzo Nobel 628B2 Metallic Silver

[F] - ADDRESS NUMBERS

Material: 1/4" aluminum
Color: PMS Warm Gray 11c

[G] - REVEALS

Material: Aluminum
Color: Akzo Nobel 628B2 Metallic Silver



Side B (West face)

This document is owned by and the information contained in it is proprietary to Poblocki Sign Company, LLC. By receipt hereof, the holder agrees not to use the information, disclose it to any third party or reproduce this document without the prior written consent of Poblocki Sign Company, LLC. Holder also agrees to immediately return this document upon request by Poblocki Sign Company, LLC.

This document represents only an approximation of material colors specified. Actual product colors may vary from this print or digital image.

Project

Northwest Community Hospital

800 W Central Road
 Arlington Heights, IL

Scale: 1/2"=1'
 Original Page Size: 11" x 17"

Notes

Revisions

REV	DESCRIPTION	BY	DATE
01	remove watermark	LE	03/20/19
02	revise address	LE	06/03/19

Rep.: Jeremy Mertz
 Drawn By: Luke Edgewood Orig. Date: 08/04/16

Sign Loc. No. 001

Ix-1_01

Main Identifier
 Sign, Type

73969

DPP - Project - Job No.

C01

Sheet

EXISTING MAIN ENTRY SIGNS

SIGN SPECIFICATIONS

[A] - BASE

Material: 1/8" Formed Aluminum
 Color: Akzo Nobel 628B2 Metallic Silver
 Installation: New structure

[B] - CABINET

Lighting: Lit
 Voltage: 120V
 Material: Sign Comp
 Face Color: Akzo Nobel 628B2 Metallic Silver
 Return Color: Akzo Nobel 628B2 Metallic Silver

[C] - GRAPHICS

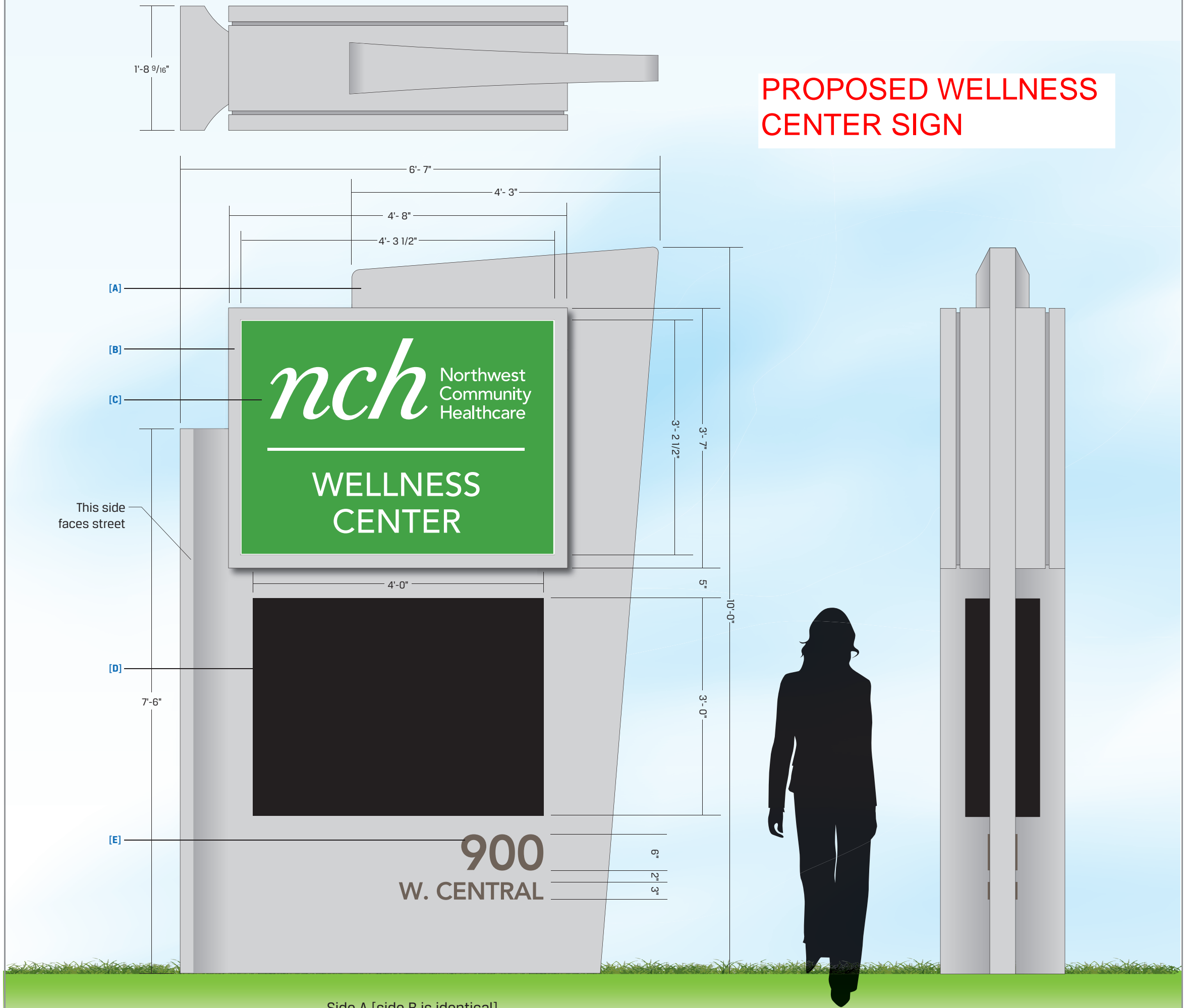
Material: White Lexan
 Graphics: Full coverage best match translucent vinyl for PMS 7738C NCH Green
 Copy is reversed out to reveal white substrate
 Allow for white perimeter border

[D] - EDS

Voltage: 120V
 Manufacturer: Cirrus Systems, Inc.
 Model: BladeM 9MM Full Color
 Installation: Built into sign structure

[E] - ADDRESS NUMBERS

Material: 1/4" FCO Aluminum
 Color: PMS Warm Gray 11c



PROPOSED WELLNESS CENTER SIGN



922 S. 70th St., West Allis, WI 53214
 414.453.4010 • www.poblockki.com

This document is owned by and the information contained in it is proprietary to Poblocki Sign Company, LLC. By receipt hereof, the holder agrees not to use, the information, disclose it to any third party or reproduce this document without the prior written consent of Poblocki Sign Company, LLC. Holder also agrees to immediately return this document upon request by Poblocki Sign Company, LLC.

This document represents only an approximation of material colors specified. Actual product colors may vary from this print or digital image.

Project

Northwest Community Hospital

900 W Central Road
 Arlington Heights, IL

Scale: 3/4"=1'

Original Page Size: 11" x 17"

Notes

Line 0001

Revisions

REV	DESCRIPTION	BY	DATE
01	revise layout	LE	10/15/19
02	revise layout	LE	10/16/19
03	release	rl	10/31/19
04	revise FCO copy	rl	02/05/20

Rep: Jeremy Mertz

Drawn By: LE Orig. Date: 05/08/19

Sign Loc. No. --

Ix8-04

Main Identifier
 Sign. Type

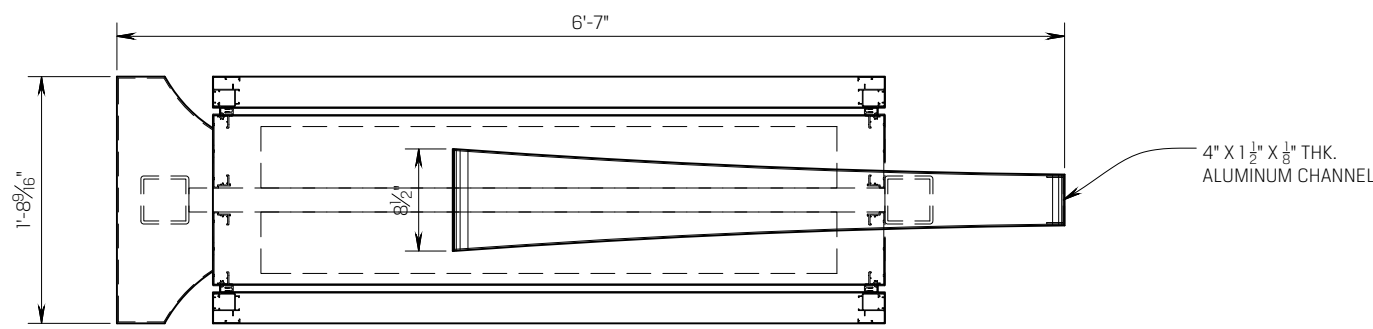
85517

OPP - Project - Job No.

105

Sheet

Side A [side B is identical]



BOND & GROUND ACCORDING TO N.E.C. ARTICLE 600 & U.L. 48 STANDARDS
 PRIMARY ELECTRICAL SUPPLY & FINAL HOOK UP TO BE DONE BY LOCALLY LICENSED ELECTRICAL CONTRACTOR.
.40 AMPS @ 120 VOLTS - LEDS
3.6 AMPS @ 120 VOLTS - MESSAGE CENTERS

*NOTE: SEE DESIGN SKETCH FOR COLOR & COPY LAYOUTS

This document is owned by and the information contained in it is proprietary to Poblocki Sign Company, LLC. By receipt hereof, the holder agrees not to use the information, disclose it to any third party or reproduce this document without the prior written consent of Poblocki Sign Company, LLC. Holder also agrees to immediately return this document upon request by Poblocki Sign Company, LLC.

This document represents only an approximation of material colors specified. Actual product colors may vary from this print or digital image.

Project
NORTHWEST COMMUNITY HOSPITAL

900 W. CENTRAL ROAD
 ARLINGTON HEIGHTS, IL

Scale: **AS NOTED**
 Original Page Size: **11" x 17"**

Notes
 LINE 0001

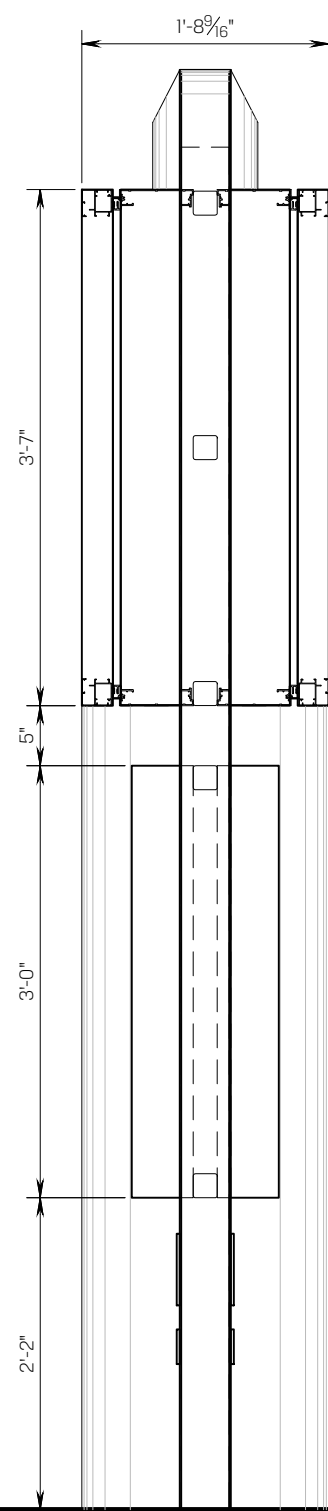
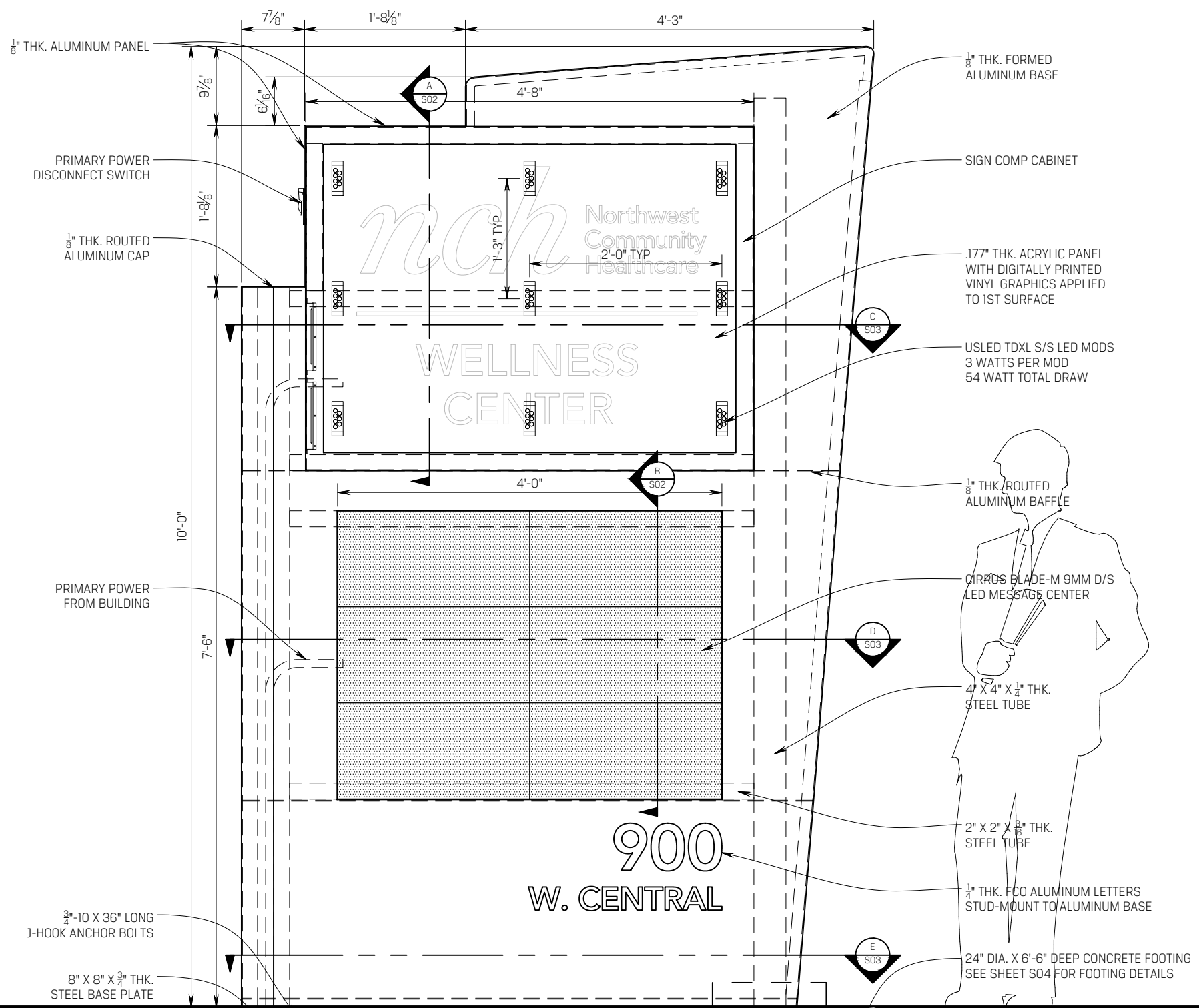
Revisions

REV	DESCRIPTION	BY	DATE
01	RELEASE FOR PRODUCTION	RL	10/28/19

Rep: **JEREMY MERTZ** Orig. Date: **10/22/19**
 Drawn By: **RAY LEBRON**

Sign Loc. No. 04
ix-8
 MAIN IDENTIFIER
 Sign Type

85517 S01
 OPP-Project-Job No. Sheet



FRONT ELEVATION
 SCALE : 3/4" = 1'-0"

SIDE VIEW
 SCALE : 3/4" = 1'-0"

FILE: R:\Drawings\NorthwestCommunity\Arlington Heights, IL\85517-ix-8.dwg SHEET: S01 PLOTTED: Feb 7, 2020 2:28 PM BY: Lebron, Ray

This document is owned by and the information contained in it is proprietary to Poblocki Sign Company, LLC. By receipt hereof, the holder agrees not to use the information, disclose it to any third party or reproduce this document without the prior written consent of Poblocki Sign Company, LLC. Holder also agrees to immediately return this document upon request by Poblocki Sign Company, LLC.

This document represents only an approximation of material colors specified. Actual product colors may vary from this print or digital image.

Project
NORTHWEST COMMUNITY HOSPITAL

900 W. CENTRAL ROAD
ARLINGTON HEIGHTS, IL

Scale: **AS NOTED**
Original Page Size: **11" X 17"**

Notes
LINE 0001

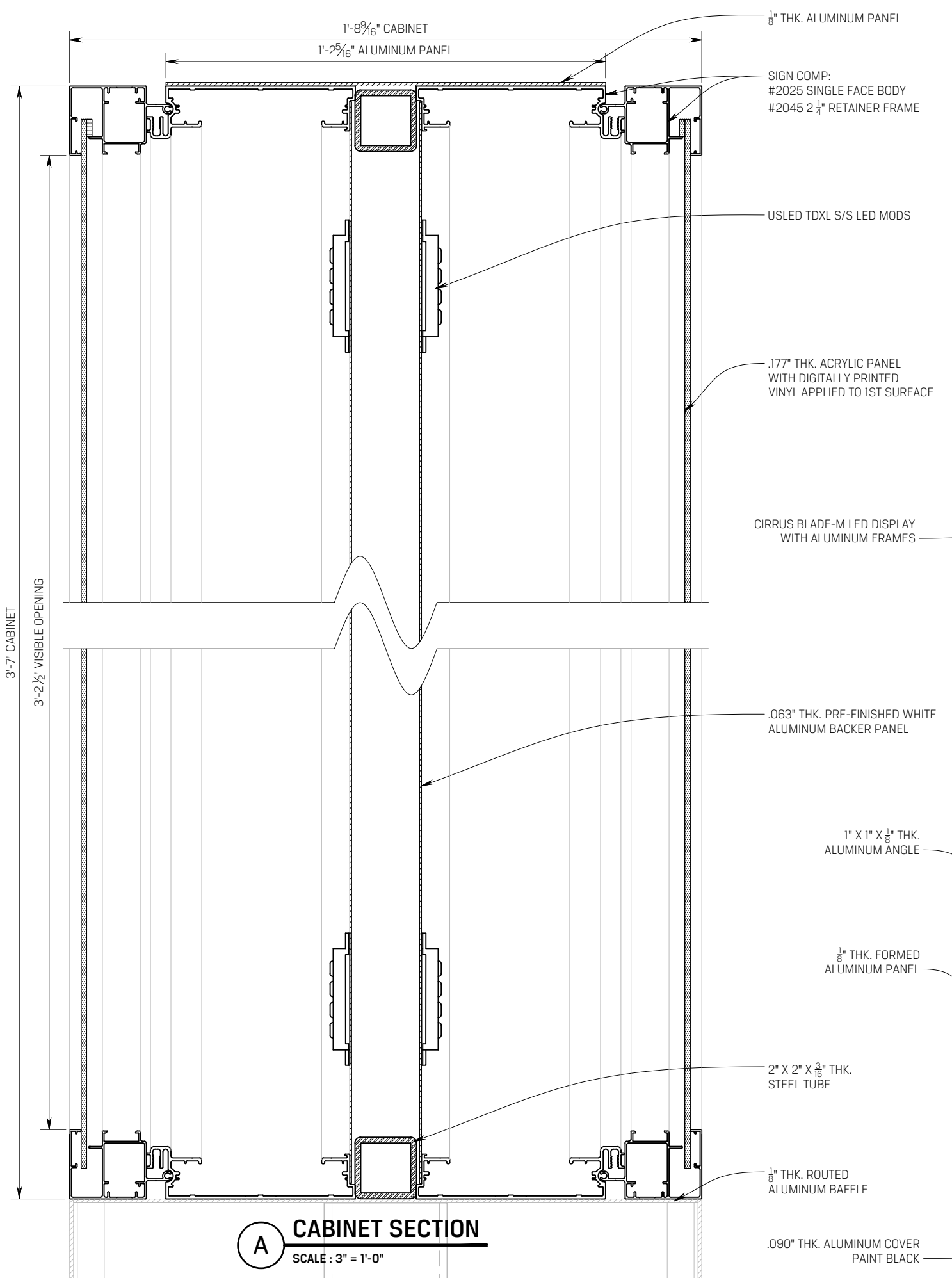
Revisions

REV	DESCRIPTION	BY	DATE
01	RELEASE FOR PRODUCTION	RL	10/28/19

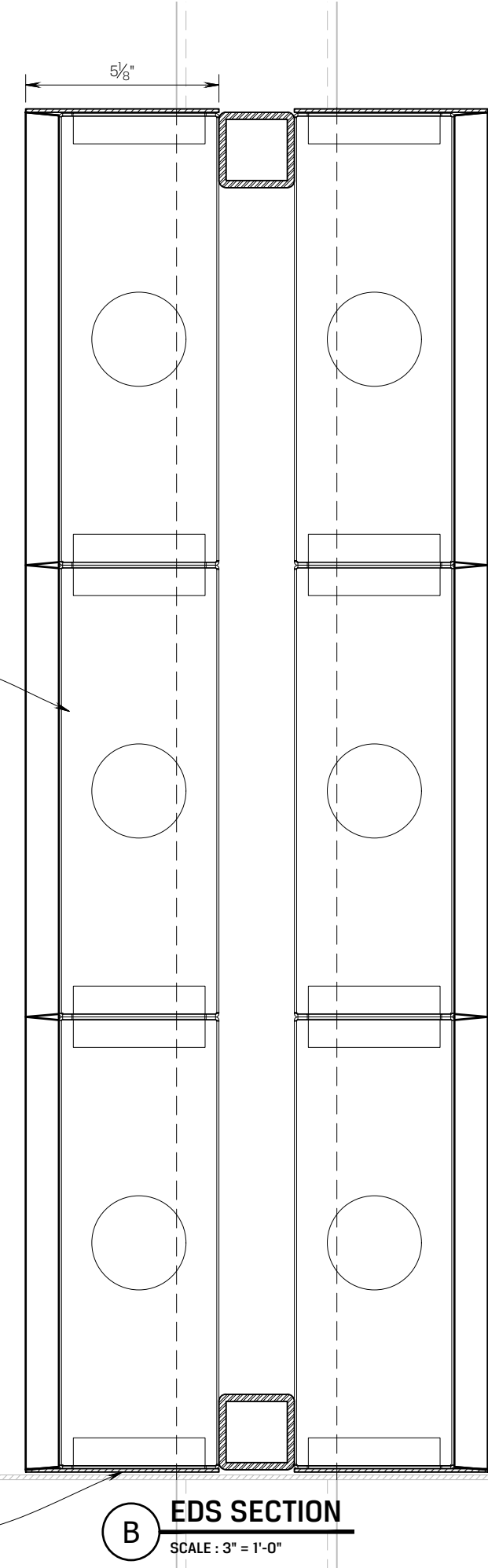
Rep: **JEREMY MERTZ** Orig. Date: **10/22/19**
Drawn By: **RAY LEBRON**

Sign Loc. No. 04
IX-8
MAIN IDENTIFIER
Sign Type

85517 **S02**
OPP-Project-Job No. Sheet



A **CABINET SECTION**
SCALE : 3" = 1'-0"



B **EDS SECTION**
SCALE : 3" = 1'-0"

FILE: R:\Drawings\NorthwestCommunity\Arlington Heights, IL\85517_Ix-8.dwg SHEET: S02 PLOTTED: Feb 7, 2020 2:28 PM BY: Lebron, Ray

This document is owned by and the information contained in it is proprietary to Poblocki Sign Company, LLC. By receipt hereof, the holder agrees not to use the information, disclose it to any third party or reproduce this document without the prior written consent of Poblocki Sign Company, LLC. Holder also agrees to immediately return this document upon request by Poblocki Sign Company, LLC.

This document represents only an approximation of material colors specified. Actual product colors may vary from this print or digital image.

Project
NORTHWEST COMMUNITY HOSPITAL

900 W. CENTRAL ROAD
ARLINGTON HEIGHTS, IL

Scale: **AS NOTED**
Original Page Size: **11" X 17"**

Notes
LINE 0001

Revisions

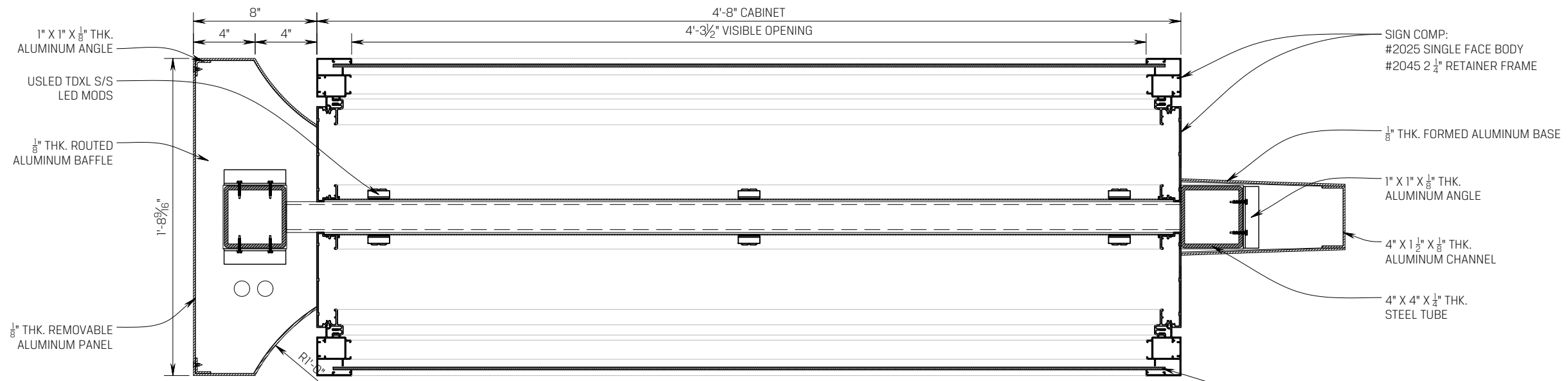
REV	DESCRIPTION	BY	DATE
01	RELEASE FOR PRODUCTION	RL	10/28/19

Rep: **JEREMY MERTZ** Orig. Date: **10/22/19**
Drawn By: **RAY LEBRON**

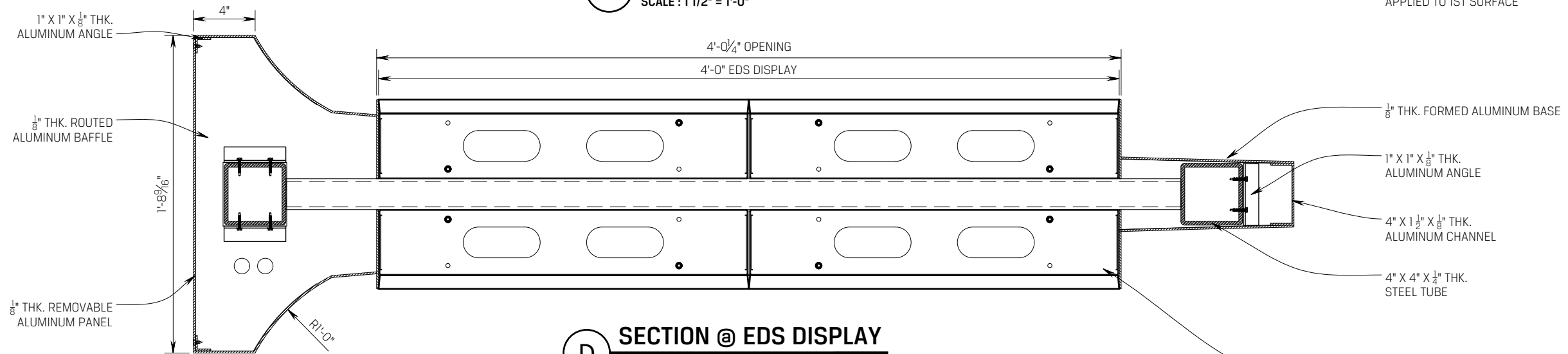
Sign Loc. No. 04

IX-8
MAIN IDENTIFIER
Sign Type

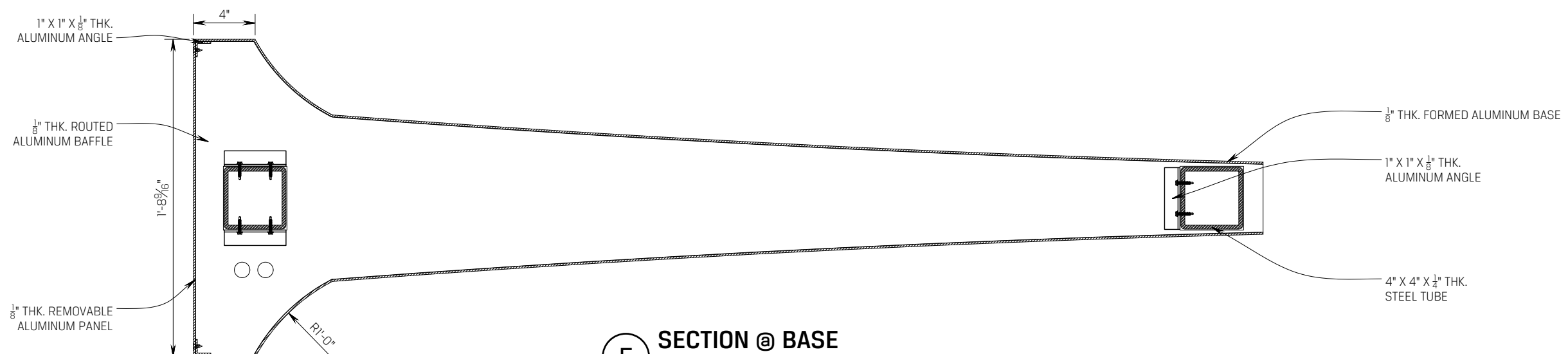
85517 **S03**
OPP-Project-Job No. Sheet



C SECTION @ CABINET
SCALE : 1 1/2" = 1'-0"

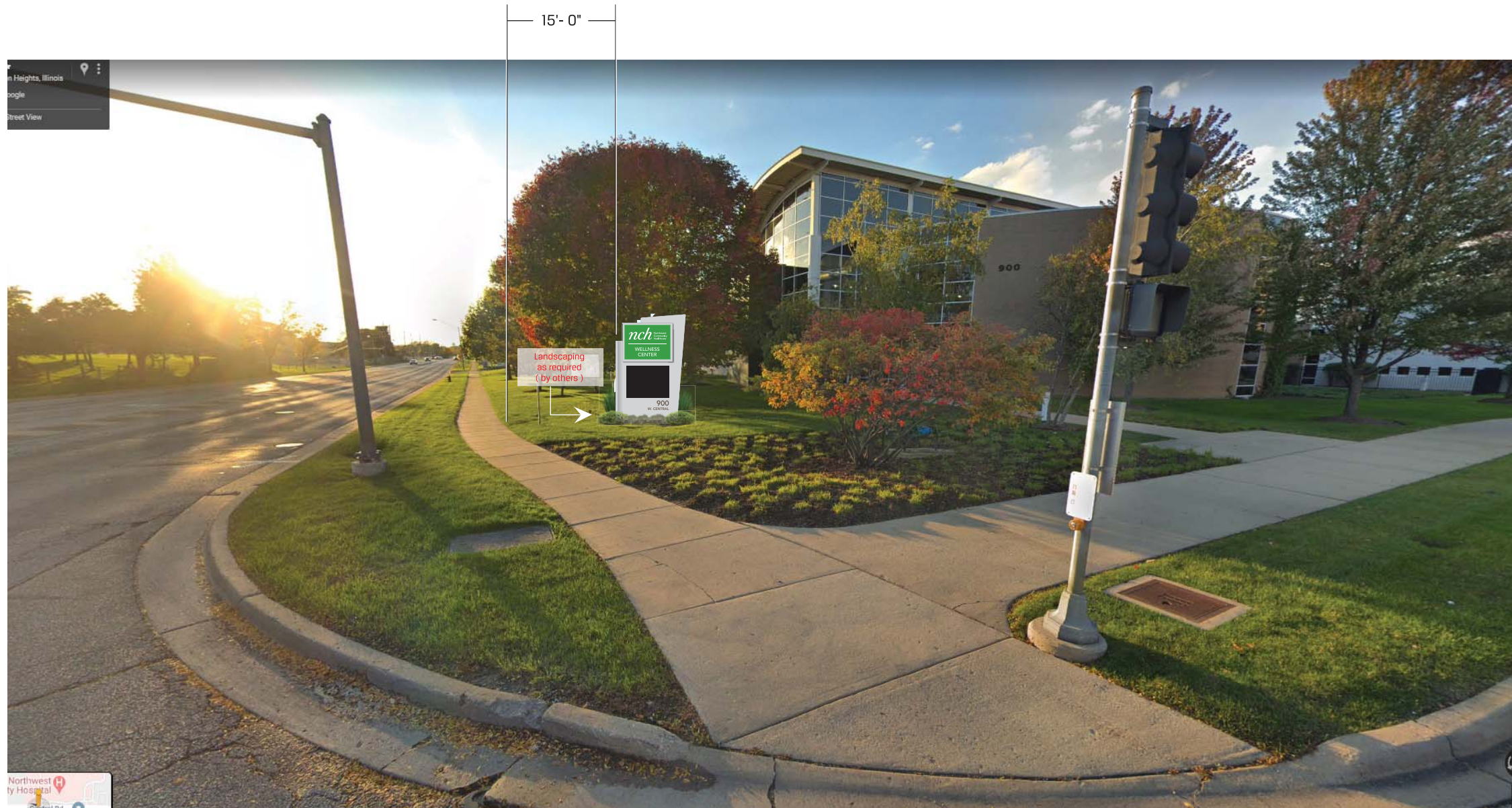


D SECTION @ EDS DISPLAY
SCALE : 1 1/2" = 1'-0"



E SECTION @ BASE
SCALE : 1 1/2" = 1'-0"

FILE: R:\Drawings\NorthwestCommunity\Arlington Heights, IL\85517-IX-8.dwg SHEET: S03 PLOTTED: Feb 7, 2020 2:28 PM BY: Lebron, Ray



This document is owned by and the information contained in it is proprietary to Poblockki Sign Company, LLC. By receipt hereof, the holder agrees not to use the information, disclose it to any third party or reproduce this document without the prior written consent of Poblockki Sign Company, LLC. Holder also agrees to immediately return this document upon request by Poblockki Sign Company, LLC.

This document represents only an approximation of material colors specified. Actual product colors may vary from this print or digital image.

Project

Northwest Community Hospital

900 W Central Road
Arlington Heights, IL

Scale: NTS

Original Page Size: 11" x 17"

Notes

.

Revisions

REV	DESCRIPTION	BY	DATE
01			

Rep.: Jeremy Mertz

Drawn By: LE

Orig. Date: 05/26/20

Sign Loc. No. ---

PH-01

Photo Rendering

Sign. Type

85517

OPP - Project - Job No.

C01

Sheet



More than **10,000**
pounds lost in our
MedFit Program.



EXAMPLES OF ELECTRONIC MESSAGE ADVERTISEMENTS



**BOOTCAMP
CLASSES**

FREE
with membership



Join our
new member
SUMMER SPECIAL:

60 DAYS \$60



LED DISPLAYS

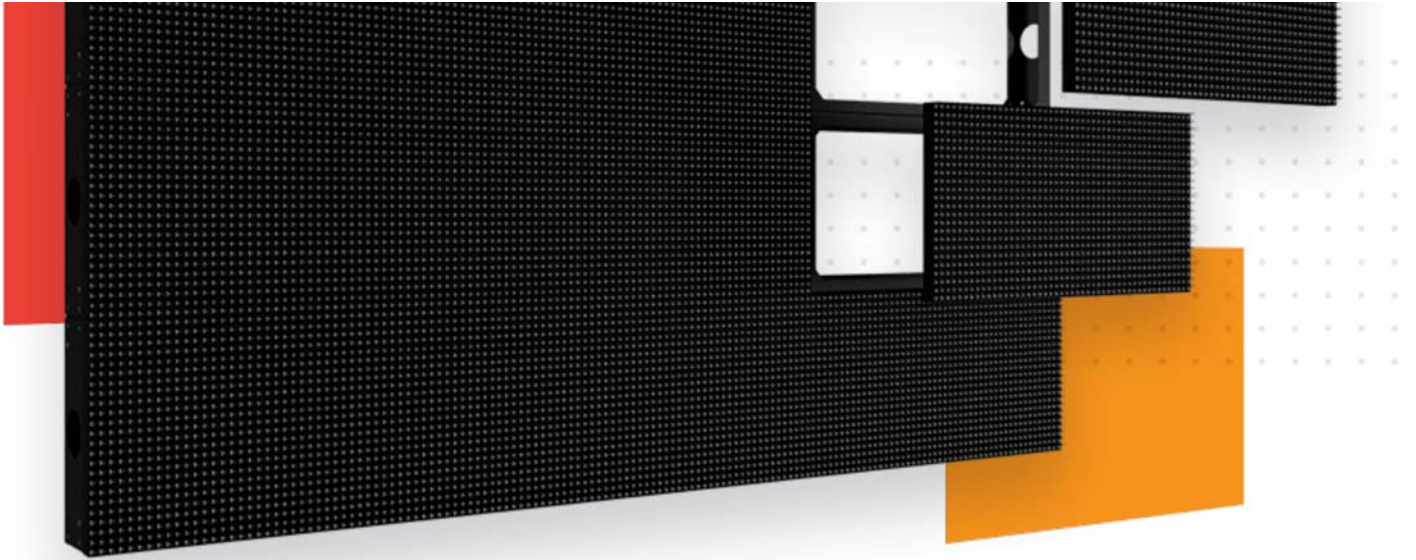
More Pixels, More Money!

THE MOST ADVANCED DISPLAY TECHNOLOGY EVER MADE

See it in Action



CIRRUS
SYSTEMS, INC.



Make More Money with Our High-Resolution Display

Our 9, 6 and 4mm BladeM ultra-high-resolution, LED digital display boards are more than a screen – it's a tool that helps deliver impactful messaging. In fact, investing in a Cirrus BladeM LED display will help you significantly increase revenue. A low-resolution 16mm display is simply a poor investment.



monochrome display

high-resolution **BLADEM**



low-resolution 16mm

high-resolution **BLADEM**

Compare BladeM to Other Electronic Message Boards

THE BEST MESSAGING MAKES CONTENT STAND OUT

BladeM ultra-high resolution, 4 x 8', 9 mm LED display has 4X – 5X more pixels (32,768) than traditional 4 x 8', 16 mm (9,216) and 20 mm displays (6,272).

BladeM is capable of displaying images and video with 298 trillion colors and 60 FPS video to highlight today's rich content.

BladeM delivers a stunning, edge-to-edge, full-color picture or video that captures the audience's attention.

THE BEST HARDWARE FOR PRACTICAL LED DIGITAL SIGNAGE



BladeM 4 x 8 , double-sided display is 60 percent lighter than the competition (240 lbs. vs. 814 lbs.), making installation a breeze.

BladeM boasts an IP 67 rating, meaning it is dustproof and waterproof; while self-healing mods feature built-in artificial intelligence.

THE BEST SOFTWARE IS POWERFUL, YET EASY TO USE

BladeM includes our ScreenHub content management system that allows businesses to create, schedule and organize content from anywhere, on any device.

Our customers are provided with free cloud software training and support for the lifetime of the electronic message center.

THE BEST TECHNOLOGY OFFERS ROCK-SOLID RELIABILITY

BladeM is produced on the most advanced SMT (surface mount technology) line in North America using state-of-the-art robotics and lean manufacturing processes.

Advanced solid-state technology means no moving parts that can fail, and that means rock-solid reliability.

BladeM uses a single controller to drive an image to the display, while traditional displays have 50+ components to drive an image to the display.

Our LED Digital Signage Positively Impacts Your Business



Are you responsible for your company's electronic message center? When it's time to make your brand look its best, there is no better investment than the BladeM from Cirrus. The BladeM increases your visibility by providing you with the most vivid content and durable LED screen – a screen that delivers the impactful messaging that can increase revenue and grow your business.

Request Your Quote

CIRRUS HQ

200 West Rd.

Portsmouth NH 03801

877-636-2331

