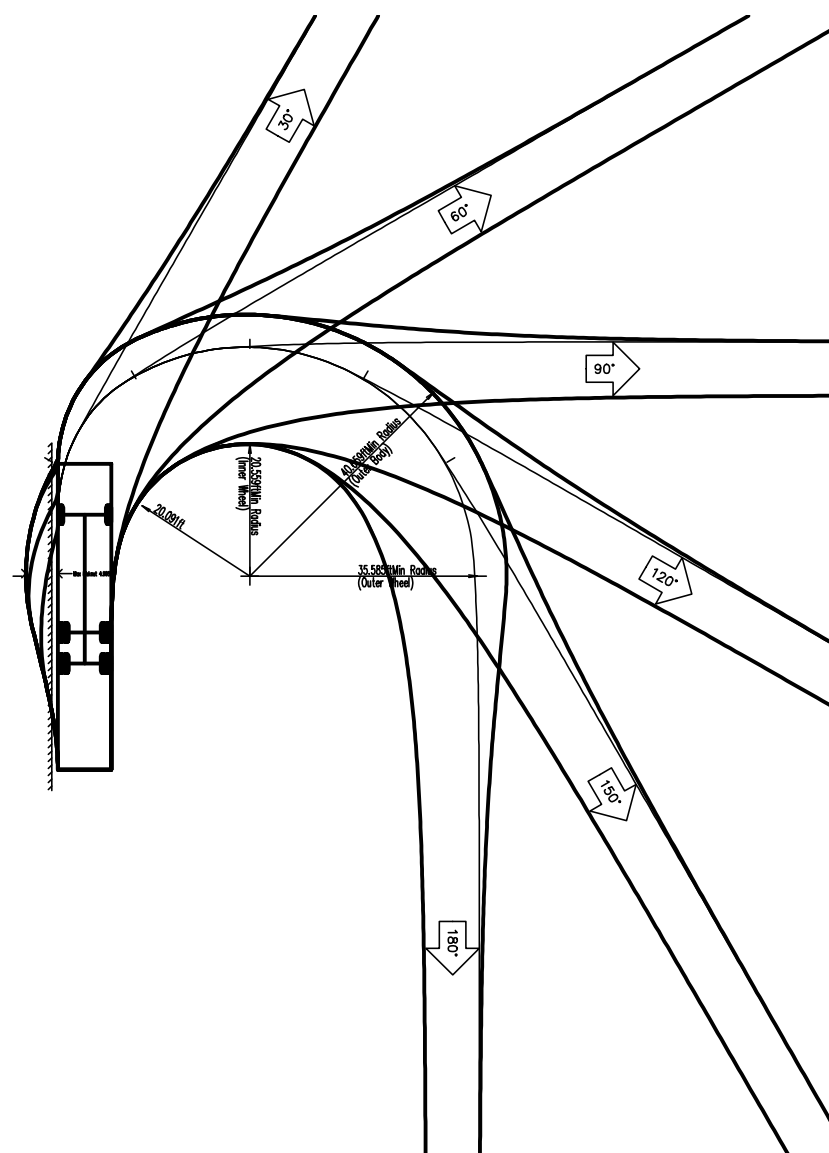


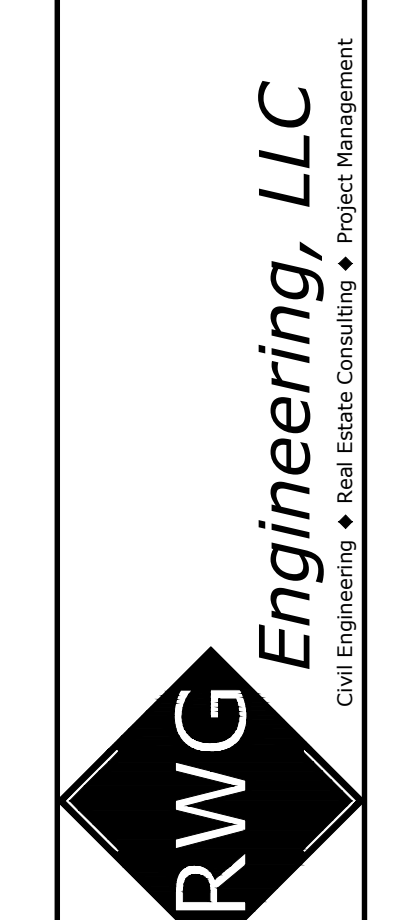
Overall Length	47.75
Overall Width	47.75
Overall Height	47.75
Min. Body Ground Clearance	6.50
Track Width	5.00
Lock-to-lock time	4.00
Max Wheel Angle	4.00



DATE	REVISIONS	DRAWN BY
3.12.15/17	VILLAGE/CLIENT REVISIONS	TLM

SIGWALT STREET APARTMENTS
ARLINGTON HEIGHTS, ILLINOIS
FIRE LANE AND TRUCK MANEUVERING PLAN

975 E. 22nd St, Suite 400
Wheaton, IL 60189
630.480.7889
www.rwg-engineering.com



PROJECT NO. 29112716
DATE 08/16/17
SCALE 1"=20'
PROJ. MGR. RWG
PROJ. ASSOC. MRM
DRAWN BY TLM

December 18, 2017 10:10:43 a.m. AcadVer:22.0s (LMS Tech)
Drawing: S:\29112716 - ARLINGTON HTS APARTMENTS\300_ENGINEERING\310_DRAWING\310_121_BASE.DWG